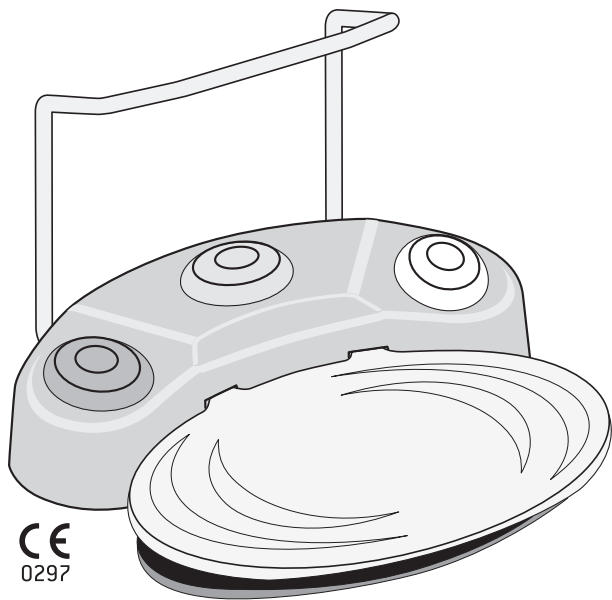


## Instructions for use



CE  
0297

**Variable  
foot control**

**S-N1**

# Contents

---

W&H Symbols.....	3
1. Introduction .....	4 – 6
2. Scope of delivery .....	7
3. Fitting / Removing the handle .....	8
Explanation of warranty terms .....	10
Authorized W&H service partners.....	11

# W&H Symbols

---

Symbols in the Instructions for use



**WARNING!**  
(Risk of injury)



**ATTENTION!**  
(to prevent damage occurring)



General explanations,  
without risk to persons or objects

# 1. Introduction

---



Customer satisfaction is the main priority under the W&H quality policy. This W&H product has been developed, manufactured and subjected to final inspection according to legal regulations, quality norms and industry standards.



## **Use the foot control only**

- > with the device types specified in these Instructions for use
- > in accordance with the respective Instructions for use of the drive unit



## **Pay particular attention to the following chapters from the respective Instructions for use of the drive unit:**

- > Symbols
- > Introduction
- > Safety notes
- > Starting operation
- > Description / Starting operation of the foot control
- > Hygiene and maintenance
- > Accessories
- > Service
- > Technical data
- > Recycling and disposal

# Introduction

---

## Intended use

Variable foot control for use with drive units operating mechanical instruments.



Misuse may damage the foot control and hence cause risks and hazards for patients, users and third parties.



## Inappropriate use

Improper use, in addition to incorrect assembly, modification or repairs of the foot control or non-compliance with our instructions invalidates all claims under warranty and any other claims.



## Foot control

The foot control is in accordance with IEC 60601-1 / ANSI/AAMI ES 60601-1 approved for use in zone M (AP). Zone M comprises a truncated pyramid below the operating table which is tilted outwards at a 30° angle.

**Zone M** is defined as a »medical environment« and constitutes the part of a room in which potentially explosive atmospheres may form due to the use of anaesthetics or medical antiseptics and antibacterial soaps; such atmospheres are typically localized and temporary.

# Introduction



## Production according to EU directive

The foot control is a medical product according to the EU directive 93/42/EEC and is compatible with the below-mentioned drive units:

Types	Description
SI-95	Implantmed, DU900, OsseoSet™ 100, Frios® Unit S
SA-200 / SA-200 C	Elcomed
SI-923, SI-915	Implantmed, BTI DrillTech®, Implant Unit, Ism, Surgical Motor System, OSM2, MIS MCU, DU1000, Frios® Unit S/i, OsseoSet 200, Osscora Surgical set
SA-310	Elcomed
PA-123 / PA-115	Tigon+



## Responsibility of the manufacturer

The manufacturer can only accept responsibility for the safety, reliability and performance of the foot control when there is compliance with the following directions:

- > Use the foot control only in accordance with these Instructions for use and in accordance with the respective Instructions for use of the drive unit.
- > The foot control has no components which can be repaired by the user. Modifications or repairs must only be undertaken by an authorized W&H service partner (see Page 11).
- > Unauthorized opening of the foot control invalidates all claims under warranty and any other claims.

## 2. Scope of delivery

**Types SI-95** (Implantmed, DU900, OsseoSet™ 100, Frios® Unit S)

**Types SA-200, SA-200 C** (Elcomed)

Foot control S-N1, REF 05083300

**Types SI-923, SI-915** (Implantmed REF 00900100 / 00900101 / 00900102 / 00900103 / 00900104 / 00900105 / 00900106 / 00900107), BTI DrillTech®, Implant Unit, Ism, Surgical Motor System, OSM2, MIS MCU, DU1000, Frios® Unit S/i, OsseoSet 200, Osscora Surgical set)

Foot control S-N1, REF 05046200

**Type SA-310** (Elcomed)

**Types SI-923, SI-915** (Implantmed REF 16929000 / 16929001)

Foot control S-N1, REF 06202400

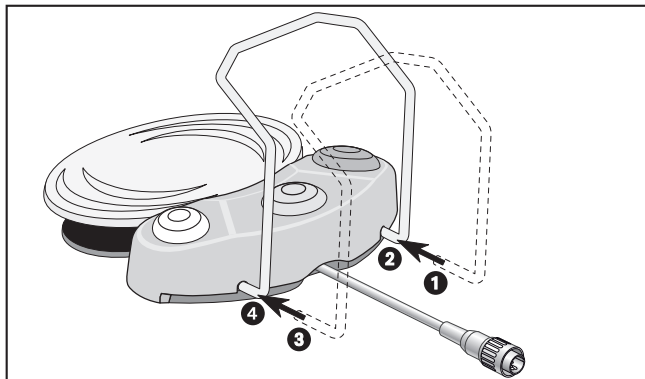
**Types PA-123, PA-115** (Tigon+)

Foot control S-N1, REF 06382200


For all listed types

Handle, REF 04653500

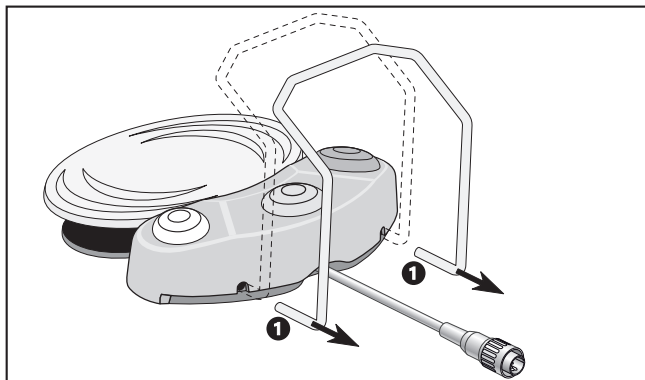
### 3. Fitting / Removing the handle



#### Fitting the handle

 Rotate the foot control by 180°.

- ➊ Position the guide pin of one handle into the hole of the foot control.
- ➋ Insert the handle until the back stop is reached.
- ➌ Position the second guide pin of the handle into the hole of the foot control.
- ➍ Insert the handle until the back stop is reached.



#### Removing the handle

- ➎ Pull out the handle.





# Explanation of warranty terms

This W&H product has been manufactured with great care by highly qualified specialists. A wide variety of tests and controls guarantee faultless operation. Please note that claims under warranty can only be validated when all the directions in the instructions for use have been followed.

**As manufacturer, W&H is liable for material or manufacturing defects within a warranty period of 12 months from the date of purchase.**

We accept no responsibility for damage caused by incorrect handling or by repairs carried out by third parties not authorized to do so by W&H!

Claims under warranty – accompanied by proof of purchase – must be sent to the vendor or to an authorized W&H service partner. The provision of service under warranty extends neither the warranty period nor any other guarantee period.

**12 months warranty**

## Authorized W&H service partners

---

Find you nearest W&H service partner at <http://wh.com>

Simply go to the menu option »Service« for full details.

Alternatively please contact:

**W&H (UK) LIMITED**, 6 Stroud Wood Business Centre, Park Street, St Albans, Herts AL2 2NJ

t + 44 1727 874990, f + 44 1727 874628, E-Mail: [technical.uk@wh.com](mailto:technical.uk@wh.com)

**W&H IMPEX INC.**, 6490 Hawthorne Drive, Windsor, Ontario, N8T 1J9, Canada

t + 1 519 9446739, f + 1 519 9746121, E-Mail: [service.ca@wh.com](mailto:service.ca@wh.com)

**W&H IMPEX INC.**, 14300 Henn Rd., Dearborn, MI 48126, USA

t + 1 519 9446739, f + 1 519 9746121, E-Mail: [service.us@wh.com](mailto:service.us@wh.com)

**W&H Austria GmbH**, Ignaz-Glaser-Straße 53, 5111 Bürmoos, Austria

t + 43 6274 6236-239, f + 43 6274 6236-890, E-Mail: [office.at@wh.com](mailto:office.at@wh.com)

**A-DEC Australia**, *Office and showroom*, Unit 8, 5-9 Ricketty Street, 2020 Mascot NSW

t + 61 2 8332 4000, f + 61 2 8332 4099, E-Mail: [a-dec@a-dec.com.au](mailto:a-dec@a-dec.com.au)

**Manufacturer**

**W&H Dentalwerk Bürmoos GmbH**  
**Ignaz-Glaser-Straße 53, 5111 Bürmoos, Austria**

**t + 43 6274 6236-0,**  
**office@wh.com**

**f + 43 6274 6236-55**  
**wh.com**

**Form-Nr. 50587 AEN**  
**Rev. 002 / 21.04.2015**  
**Subject to alterations**

