

Instructions for use



CE
0297

PEOPLE HAVE PRIORITY



Surgical

Saw handpieces
S-8R, S-8S, S-80

Contents

Symbole	4
in the Instructions for use	4
on the medical device / packaging.....	5
1. Introduction	6
2. Safety notes	9
3. Product description	12
4. Operation	14
5. Hygiene and maintenance	18
General notes.....	18
Limitations on processing	20
Initial treatment at the point of use	21
Manual cleaning	22
Manual disinfection	27
Automated cleaning and disinfection	28

Drying	30
Inspection, Maintenance and Testing	31
Packaging	36
Sterilization.....	37
Storage.....	39
6. Servicing	40
7. W&H Accessories and spare parts.....	41
8. Technical data	42
9. Disposal	44
Explanation of warranty terms	45
Authorized W&H service partners.....	46



WARNING!
(risk of injury)



ATTENTION!
(to prevent
damage occurring)



General explanations,
without risk to
persons or objects



Do not dispose of
with domestic waste

R_x_{only}

Caution!

According to Federal law, this medical device may only be sold by or on the order of a dentist, physician or any other medical practitioner licensed by the law of the State in which he or she practices and intends to use or order the use of this medical device.

Symbols

on the medical device / packaging



CE marking
with identification number
of the Notified Body



DataMatrix Code
for product information
including UDI (Unique
Device Identification)



Data structure in
accordance with
Health Industry Bar Code



Catalogue number



Thermo washer
disinfectable



Sterilizable up to the
stated temperature



Serial number



UL Component Recognition Mark
indicates compliance with Canadian and U.S. requirements



Date of manufacture

1. Introduction

Customer satisfaction has absolute priority in the W&H quality policy. This medical device has been developed, manufactured and subjected to final inspection according to legal regulations, quality and industry standards.

For your safety and the safety of your patients

Prior to initial use please read the Instructions for Use. These explain how to use your medical device and guarantee a smooth and efficient operation.



Observe the safety notes.

Intended use

Saw handpieces for cutting and separating bone substances mechanically in cranio-maxillo-facial surgery (CMF).




Misuse may damage the medical device and hence cause risks and hazards for patient, user and third parties.

Qualifications of the user

We have based our development and design of the medical device on the physician target group.

Production according to EU Directive

 The medical device meets the requirements of Directive 93/42/EEC.
0297

Responsibility of the manufacturer

The manufacturer can only accept responsibility for the safety, reliability and performance of the medical device when it is used in compliance with the following directions:

- > The medical device must be used in accordance with these Instructions for Use.
- > The medical device has no components that can be repaired by the user.
- > Modifications or repairs must only be undertaken by an authorized W&H service partner (see page 46).

Skilled application

The medical device is intended only for skilled application according to the intended use as well as in compliance with the valid health and safety at work regulations, the valid accident prevention regulations and in compliance with these Instructions for use.

The medical device should be prepared for use and maintained by staff who have been trained in procedures for infection control, personal safety and patient safety.

Improper use, (e.g., through poor hygiene and maintenance), non-compliance with our instructions or the use of accessories and spare parts which are not approved by W&H, invalidates all claims under warranty and any other claims.



Any serious incident that has occurred in relation to the medical device should be reported to the manufacturer and the competent authority!

2. Safety notes



- > Before using the medical device for the first time, store it at room temperature for 24 hours.
- > The operation of the medical device is permitted only on dental units which correspond to the standards IEC 60601-1 (EN 60601-1) and IEC 60601-1-2 (EN 60601-1-2).
- > Always ensure the correct operating conditions and cooling function.
- > Always ensure that sufficient and adequate cooling is delivered and ensure adequate suction.
- > In case of coolant supply failure, the medical device must be stopped immediately.
- > Check the medical device for damage and loose parts each time before using.
- > Do not operate the medical device if it is damaged.
- > Only attach the medical device onto the micromotor when the micromotor is at a complete standstill.
- > Perform a test run each time before using.
- > Avoid overheating at the treatment site.
- > The maximum permitted drive speed of 40,000 rpm must not be exceeded.
- > Tighten the clamping screw fully only when you have inserted a saw blade (risk of breakage).



- > Only use saw blades that are in perfect condition and be careful when the saw blade is moving.
- > Follow the operating instructions of the manufacturer.
- > Use only saw blades approved by W&H.
- > Change the saw blades after every treatment.
- > Insert the saw blade only when the medical device is stationary.
- > Do not interfere with the running or slowing down saw blade.
- > Contact between the tissue and the saw blade may result in injury.

Hygiene and maintenance prior to initial use

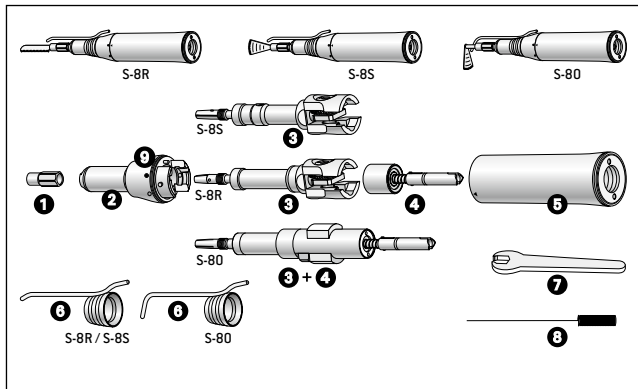


- > The medical device is sealed in PE film and not sterilized when delivered.
- > The PE film and the packaging are non-sterilizable.

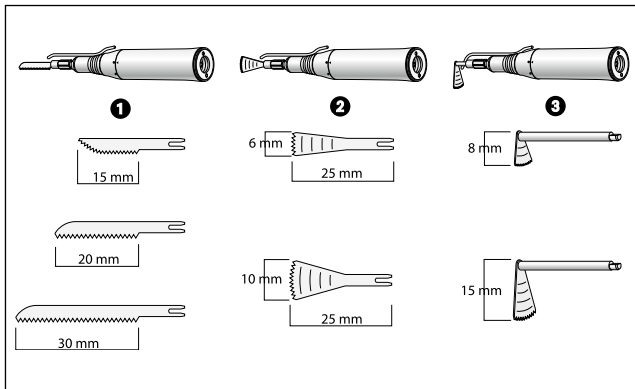


- > Clean, disinfect and lubricate the medical device.
- > Sterilize the medical device, the saw blades, the coolant tube, the spanner and the nozzle cleaner.

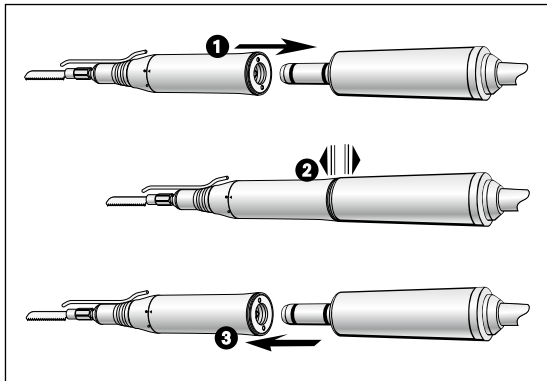
3. Product description



- 1** Clamping screw
 - 2** Handpiece tip
 - 3** Drive shaft
 - 4** Shaft
 - 5** Sheath
 - 6** External coolant tube
 - 7** Spanner
 - 8** Nozzle cleaner
 - 9** Symbol description
- Sheath open
● Sheath locked



- 1** Reciprocating
R-15, R-20, R-30
- 2** Sagittal
S-6, S-10
- 3** Oscillating
O-8, O-15



Do not assemble or remove the medical device during operation!

❶

Push the medical device onto the motor.



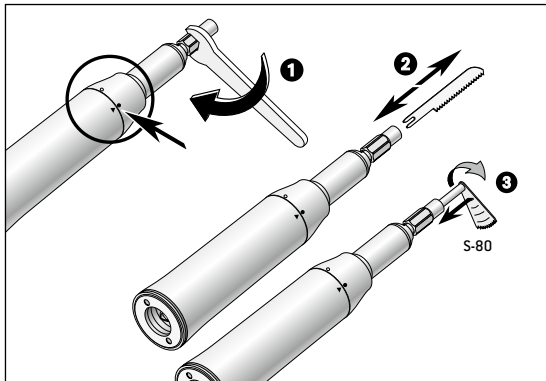
When using a locking pin between motor and medical device: See Instructions for use of the control unit.



❷ Verify full engagement.

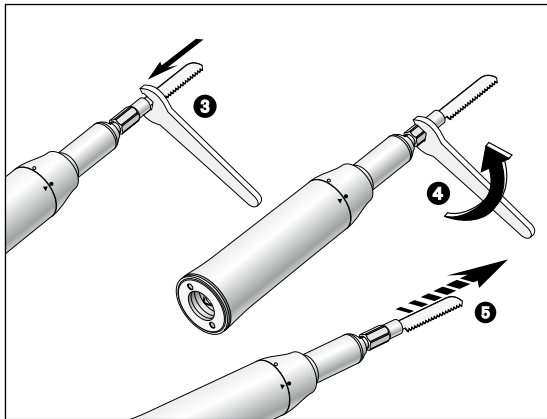
❸

Remove the medical device.



To change saw blade

- 1 Undo the clamping screw with the spanner or by hand. Ensure that the sheath remains closed.
- 2 Insert the blade up to the limit stop or remove it.
Only for S-80: Press the saw blade and turn it until it engages audibly.



- 3** Guide the spanner to the clamping screw.
Use the spanner to tighten the clamping screw.



- 4** Verify full engagement.

Test run



Do not hold the medical device at eye level!

- > Insert saw blade.
- > Operate the medical device.



In the event of operating malfunctions (e.g., vibrations, unusual noise, overheating, coolant failure or leakage) **stop the medical device immediately** and contact an authorized W&H service partner.



- > Follow your local and national laws, directives, standards and guidelines for cleaning, disinfection and sterilization.



- > Wear protective clothing, safety glasses, face mask and gloves.



- > Use only oil-free, filtered compressed air with a maximum operating pressure of 3 bar for manual drying.

Cleaning agents and disinfectants



- > Read the notes, follow the instructions and heed the warnings provided by the manufacturers of cleaning agents and/or disinfectants.
- > Use only detergents which are intended for cleaning and/or disinfecting medical devices made of metal and plastic.
- > It is imperative to comply with the concentrations and exposure times specified by the manufacturer of the disinfectant.
- > Use disinfectants which have been tested and found effective by the Verbund für Angewandte Hygiene e.V. (VAH = Association for Applied Hygiene), the Österreichischen Gesellschaft für Hygiene, Mikrobiologie und Präventivmedizin (ÖGHMP = Austrian Society for Hygiene, Microbiology and Preventive Medicine), the Food and Drug Administration (FDA) and the U.S. Environmental Protection Agency (EPA).



The user is responsible for validating its process if the specified cleaning agents and disinfectants are not available.



The product lifetime and the medical device's ability to operate correctly are mainly determined by mechanical stress during use and chemical influences due to processing.

- > Send worn or damaged medical devices and/or medical devices with material changes to an authorized W&H service partner.

Processing cycles



- > We recommend a regular service for the W&H medical device after 500 processing cycles or one year.



Clean the medical device immediately after every treatment, to flush out any liquid (e.g., blood, saliva etc.) and to prevent settling on the internal parts.

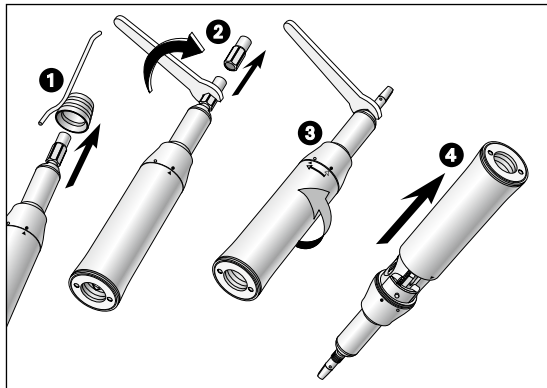
- > Operate the medical device for at least 10 seconds at idle speed.
- > Ensure that all coolant outlets are rinsed out.



- > Wipe the entire surface of the medical device with disinfectant.
- > Remove the saw blade.
- > Remove the medical device.

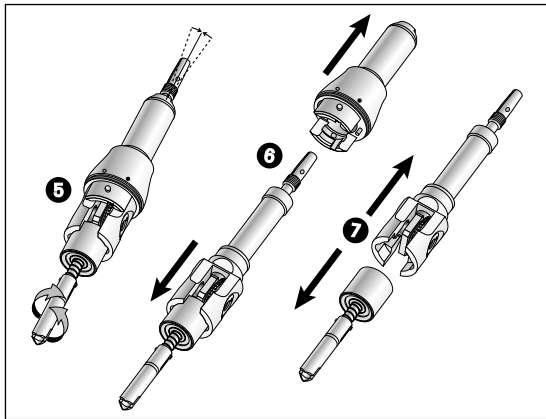


Note that the disinfectant used during pre-treatment is only for personal protection and cannot replace the disinfectant step after cleaning.



Disassembly of the medical device

- 1 Pull off the external coolant tube.
- 2 Remove the clamping screw from the drive shaft with the spanner or by hand.
- 3 Position the spanner on the upper part of the handpiece tip. Loosen the handpiece tip from the sheath by simply turning it from ● to ○.
- 4 Remove the sheath from the handpiece tip.

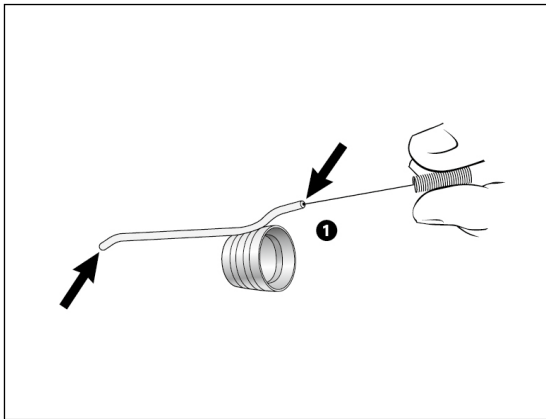


- 5 Ensure that the drive shaft is positioned exactly in the centre. If necessary, correct the position by turning the shaft to the left or right.
- 6 Remove the lower shaft and drive shaft from the handpiece tip.
- 7 Pull the lower shaft and drive shaft apart.





Do not place the medical device in liquid disinfectant or in an ultrasonic bath.

- > Clean the medical device under running tap water (< 35°C / < 95°F).
- > Rinse and brush off all internal and external surfaces.
- > Move moving parts back and forth several times.
- > Remove liquid residues using compressed air.

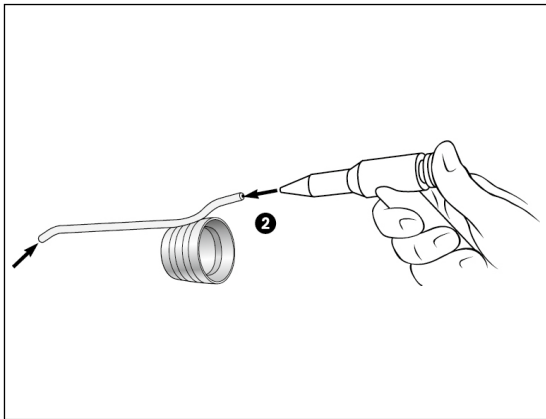


Cleaning the external coolant tubes

 The coolant tube can be cleaned in an ultrasonic bath and/or in the washer-disinfector.

 The nozzle cleaner can be prepared in an ultrasonic bath and / or in a washer-disinfector.

1 Clean coolant tube carefully with the nozzle cleaner to remove dirt and deposits.



2 Blow through the coolant tube and coolant outlets using compressed air.



In case of blocked coolant outlets or coolant tubes contact an authorized W&H service partner.



> W&H recommends wiping down with disinfectant.



Evidence of the medical device's basic suitability for effective manual disinfection was provided by an independent test laboratory using the »mikrozid® AF wipes« disinfectant (Schülke & Mayr GmbH, Norderstedt).



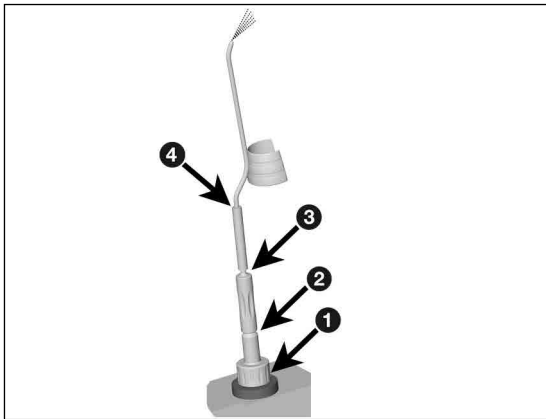
W&H recommends automated cleaning and disinfection using a washer-disinfector (WD).

- > Read the notes, follow the instructions and heed the warnings provided by the manufacturers of washer disinfectors, cleaning agents and/or disinfectants.



Evidence of the medical device's basic suitability for effective automated disinfection was provided by an independent test laboratory using the »Miele PG 8582 CD« washer disinfector (Miele & Cie. KG, Gütersloh) and the »Dr. Weigert neodisher® MediClean forte« cleaning agent (Dr. Weigert GmbH & Co. KG, Hamburg) according to ISO 15883.

- > Cleaning at 55°C (131°F) – 5 minutes
- > Disinfection at 93°C (200°F) – 5 minutes



Automated cleaning and disinfection of the external coolant tubes



Use the W&H adaptor kit REF 07233500.

- 1 Screw the W&H adaptor into the adaptor on the injector rail.
- 2 Screw the W&H intermediate adaptor onto the W&H adaptor.
- 3 Put the W&H silicone hose over the W&H intermediate adaptor.
- 4 Insert the external coolant tube into the W&H silicone hose.

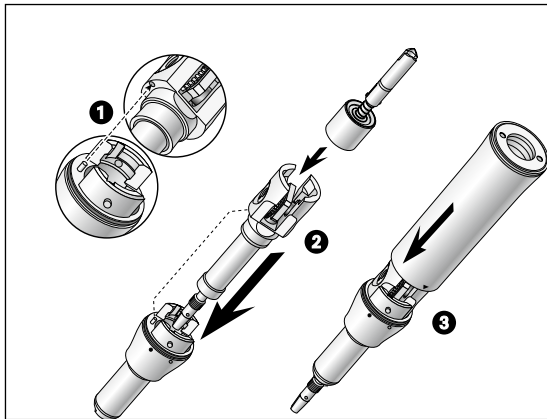


- > Ensure that the medical device is completely dry internally and externally after cleaning and disinfection.
- > Remove any liquid residues using compressed air.

Inspection



- > Check the medical device after cleaning and disinfection for damage, visible residual soiling and surface changes.
- > Reprocess any medical devices that are still soiled.
- > Sterilize the reassembled medical device following cleaning, disinfection and lubrication.



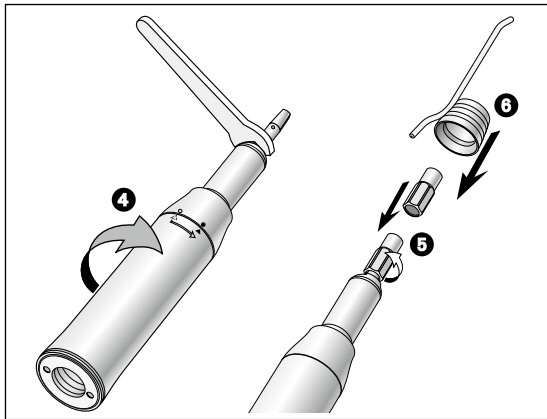
Reassembling the medical device



Reassemble the medical device following manual cleaning and disinfection.

> Types and serial numbers must be identical

- 1 Push the pin of the handpiece tip into the hole in the drive shaft.
- 2 Push the shaft into the drive shaft.
- 3 Position the sheath onto the front of the handpiece tip and turn until it engages.



! Do not tighten the clamping screw fully
(risk of breakage)

- 1 Position the spanner on the upper part of the handpiece tip. Fix the handpiece tip with the sheath by simply turning it from ○ to ●.
- 2 Screw the clamping screw onto the drive shaft.
- 3 Attach coolant tube.

Lubrication



- > Lubricate the dry medical device immediately after cleaning and disinfection.

Recommended lubrication cycles

- > Essential after every internal cleaning
- > Before each sterilization

With W&H Service Oil F1, MD-400

- > Follow the instructions on the oil spray can and on the packaging.
- or

With W&H Assistina

- > Follow the instructions in the Assistina Instructions for Use.

Test after lubrication



- > Direct the medical device downwards.
- > Operate the medical device so that excess oil can escape.
- > Excess oil may result in the medical device overheating.



Pack the medical device and the accessories in sterilization packages that meet the following requirements:

- > The sterilization package must meet the applicable standards in respect of quality and use and must be suitable for the sterilization method.
- > The sterilization package must be large enough for the sterilization goods.
- > The filled sterilization package must not be under tension.



W&H recommends sterilization according to EN 13060, EN 285 or ANSI/AAMI ST79.



- > Read the notes, follow the instructions and heed the warnings provided by the manufacturers of steam sterilizers.
- > The program selected must be suitable for the medical device.

Recommended sterilization cycles

- > Steam sterilization (type B, N)
- > Sterilization time at least 3 minutes at 134°C (273°F), 4 minutes at 132°C (270°F), 30 minutes at 121°C (250°F)
- > Maximum sterilization temperature 135°C (275°F)



Evidence of the medical device basic suitability for effective sterilization was provided by an independent test laboratory using the LISA 517 B17L steam sterilizer (W&H Sterilization S.r.l., Brusaporto (BG)) and the CertoClav MultiControl MC2-S09S273 steam sterilizer (CertoClav GmbH, Traun).

“Dynamic-air-removal prevacuum cycle” (type B): temperature 134°C (273°F) – 3 minutes*

temperature 132°C (270°F) – 4 minutes*/**

“Gravity-displacement cycle” (type N): temperature 121°C (250°F) – 30 minutes**

* EN 13060, EN 285, ISO 17665

** ANSI/AAMI ST55, ANSI/AAMI ST79



- > Store sterile goods dust-free and dry.
- > The shelf life of the sterile goods depends on the storage conditions and type of packaging.

6. Servicing

Repairs and returns

In the event of operating malfunctions immediately contact an authorized W&H service partner.

Repairs and maintenance work must only be undertaken by an authorized W&H service partner.



- > Ensure that the medical device has been completely processed before returning it.

7. W&H Accessories and spare parts



Use only original W&H accessories and spare parts or accessories approved by W&H.

Supplier: W&H partners

000301xx	Assistina 301 plus
30310000	Assistina TWIN (MB-302)
10940021	Service Oil F1, MD-400 (6 pcs)
02038200	Spray adaptor
04580000	Clamping screw
04740200	Spanner
00636901	Nozzle cleaner
07233500	Adaptor kit for the washer-disinfector

8. Technical data

		S-8R	S-8S	S-80
Transmission ratio		3.25:1	3.25:1	3.4:1
Motor coupling according to standard		ISO 3964	ISO 3964	ISO 3964
Maximum rated speed	[min ⁻¹]	40,000	40,000	40,000
Saw frequency at maximum rated speed	[min ⁻¹]	12,300	12,300	11,800
Blade movement		1.8 mm	approx. 3°	approx. 12°

min⁻¹ (Revolutions per minute)

Temperature information



Temperature of the medical device on the operator side:	maximum 55°C (131°F)
Temperature of the medical device on the patient side:	maximum 50°C (122°F)
Temperature of the working part (saw blade):	maximum 41°C (105.8°F)

Ambient conditions

Temperature during storage and transport:	-40°C to +70°C (-40°F to +158°F)
Air Humidity during storage and transport:	8 % to 80 % (relative), non-condensing
Temperature during operation:	+10°C to +35°C (+50°F bis +95°F)
Air Humidity during operation:	15 % to 80 % (relative), non-condensing

9. Disposal



Ensure that the parts are not contaminated on disposal.



Follow your local and national laws, directives, standards and guidelines for disposal.

- > Medical device
- > Packaging

Explanation of warranty terms

This W&H medical device has been manufactured with great care by highly qualified specialists. A wide variety of tests and controls guarantees faultless operation. Please note that claims under warranty can only be validated when all the directions in the Instructions for use have been followed.

As the manufacturer, W&H is liable for material or manufacturing defects within a warranty period of 12 months from the date of purchase. Accessories and consumables (spray adaptor, clamping screw, spanner, nozzle cleaner) are excluded from the warranty.

We accept no responsibility for damage caused by incorrect handling or by repairs carried out by third parties not authorized to do so by W&H!

Claims under warranty accompanied by proof of purchase must be sent to the vendor or to an authorized W&H service partner. The provision of service under warranty extends neither the warranty period nor any other guarantee period.

12 months warranty

Authorized W&H service partners

Find your nearest authorized W&H service partner at <http://wh.com>
Simply go to the menu option »Service« for full details.

Or simply scan the QR code.



Manufacturer

W&H Dentalwerk Bürmoos GmbH

Ignaz-Glaser-Straße 53, 5111 Bürmoos, Austria

t + 43 6274 6236-0,

office@wh.com

f + 43 6274 6236-55

wh.com

Form-Nr. 50558 AEN

Rev. 007 /06.11.2019

Subject to alterations